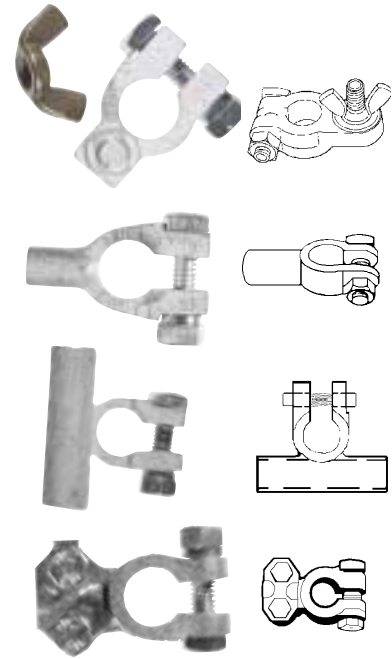


Lugs and Battery Terminals

Tinned Copper Battery Terminals

Description	Stud Size (in)	Wire Size (AWG)	Wire Size (mm ²)	Qty/Pkg	Qty/Bulk	Item Number
Wing Nut Style Yellow Brass Nut Tin Plated Terminal	Negative	5/16 7.9 mm			1	260010
	Positive	3/8 9.5 mm			1	260012
	Pos/Neg	5/16 & 3/8 7.9 & 9.5 mm		1/1		260322
Straight Terminal Universal 92% Copper Tin Plated			2 & 1	34 & 42	1	260016
					2	260017
			2/0	63	1	260022
				2		260023
T Terminal 92% Copper Tin Plated	Positive		3/0	85	1	260044
	Negative				1	260045
Emergency Clamp On Terminal 92% Copper Tin Plated			8 - 2/0	8-68	1	260005



Battery Terminal Boots



Description	Wire Size	Color	Qty/Pkg	Qty/Bulk	Item Number
Wing Nut Style	4 & 2 19 & 32 mm ²	Black/Red Combo	1/1		260350
Rotating Cap	4 & 2 19 & 32 mm ²	Black/Red Combo	1/1		260392
Right Angle	8 - 2 8-32 mm ²	Red		1	260381
	2 - 2/0 32-62 mm ²	Red		1	260382
	3/0 - 4/0 81-103 mm ²	Red		1	260383

Battery Terminal Accessories



Description	Color	Amps	Qty/Pkg	Item Number
Spring Clips Stainless Steel		10 Amp	1	260510
		25 Amp	1	260525
Alligator Clips Copper	Red/Black		1/1	260500
Battery Clips	Red/Black		1/1	260505