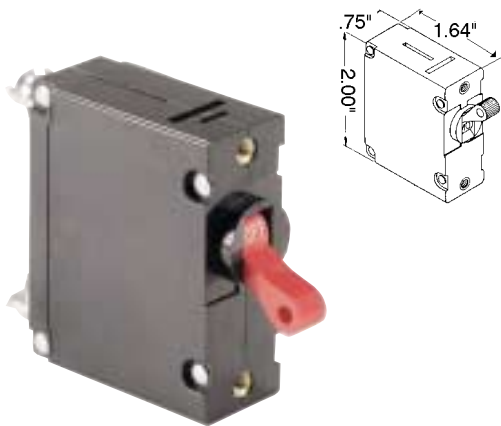


circuit breaker, switches & accessories

- Provide reliable automatic circuit protection, power switching, and circuit control.
- Designed to ignore nuisance trips, provide a trip-free safety mechanism which cannot be held closed during overcurrent or fault conditions.
- Constructed with the highest grade stainless steel springs and specially plated sub-components.
- Magnetic actuator provides much greater reliability than thermal actuators.
- Provides over 10,000 switching cycles.
- Weather resistant construction passes 100 hour salt spray tests.



Standard Toggle Single Pole AC/DC



Design Amps	Toggle Color	Qty/ Pkg	Item Number	Design Amps	Toggle Color	Qty/ Pkg	Item Number
5	Black	1	551005	25	Black	1	551025
	Red	1	551205		Red	1	551225
	White	1	551305		White	1	551325
10	Black	1	551010	30	Black	1	551030
	Red	1	551210		Red	1	551230
	White	1	551310		White	1	551330
15	Black	1	551015	40	Black	1	551040
	Red	1	551215		Red	1	551240
	White	1	551315		White	1	551340
20	Black	1	551020	50	Black	1	551050
	Red	1	551220		Red	1	551250
	White	1	551320		White	1	551350

Standard Toggle Double Pole AC/DC

Design Amps	Toggle Color	Qty/ Pkg	Item Number
15	Black	1	552015
	White	1	552115
20	Black	1	552020
	White	1	552120
30	Black	1	552030
	White	1	552130
40	Black	1	552040
50	Black	1	552050
	White	1	552150

