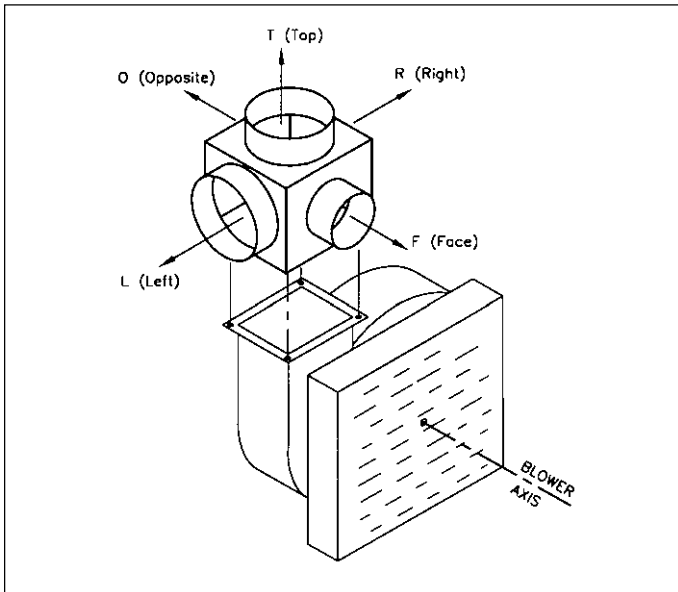


# Plenums-Mounting Frames

DX ACCESSORIES



Blower Plenum Shown

## Blower Plenum

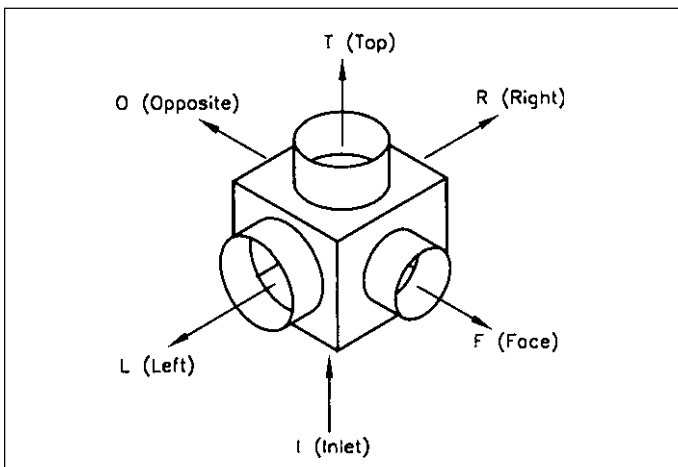
Blower plenums mount directly to blower outlets, which are different for each size blower. A plenum is selected by blower size and duct outlets. All blowers have rectangular openings, such that a blower plenum may be rotated 180° from listed orientation.

## Box Plenum

Box plenums are similar to blower plenums, except the inlet is another duct connection. A box plenum has one inlet, with multiple outlets on any of the other box sides.

## Grill Plenum

Grill plenums are available for most grill sizes. But any plenum with height (H) and width (W) dimensions greater than the grill cut out will work. Flanges are available on either the long or short sides, or both. Dual duct plenums (with two duct connections) are also available.

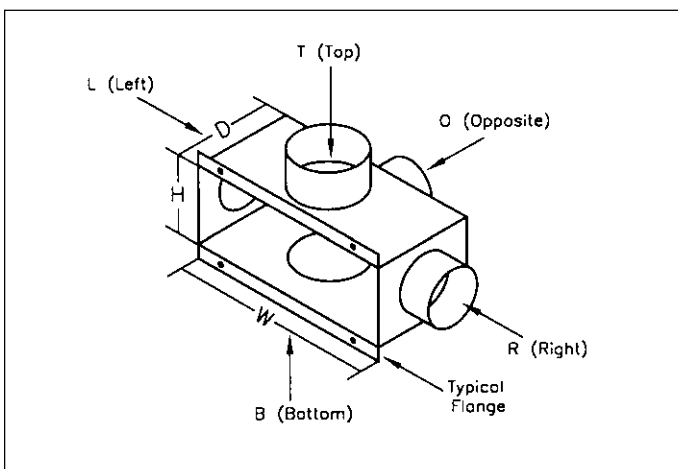


Box Plenum Shown

## Mounting Frames

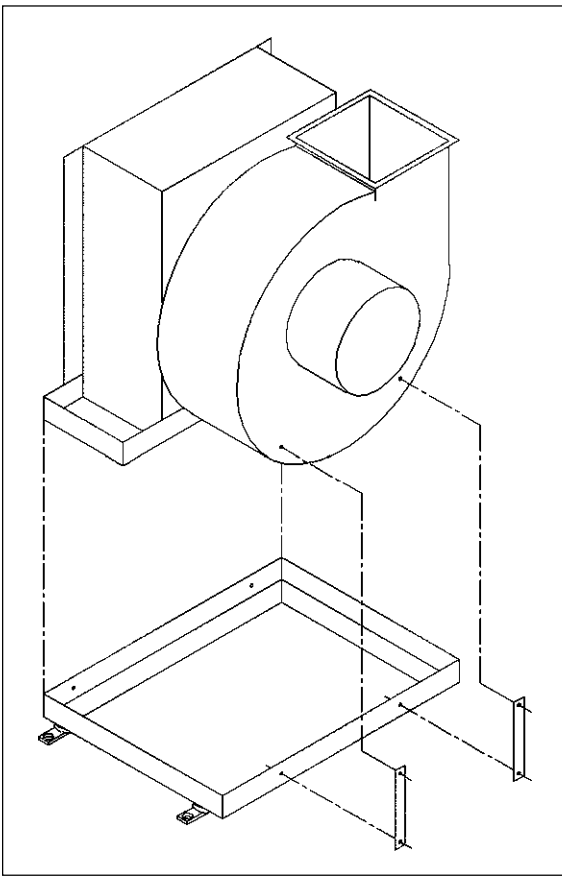
Mounting frames come in many configurations designed to be installed directly on the various evaporator units. They provide a shock mount to eliminate the transfer of any noise or vibration to the surface on which they are mounted. The frame includes a means of supporting the weight of the blower motor which extends out the back of the blower housing. This also addresses the need for some clearance below the units to accommodate the condensate drain fitting. The mounting frame kits include the necessary frame, brackets, hardware, and instructions to simplify the installation.

Also available is a universal mounting leg kit, which consists of four brackets or legs and the necessary hardware and instructions for installing on any type evaporator. The brackets are designed to provide a height adjustment on the units. Depending on the evaporator selected, the type of installation and the particular application, only three brackets may be required.

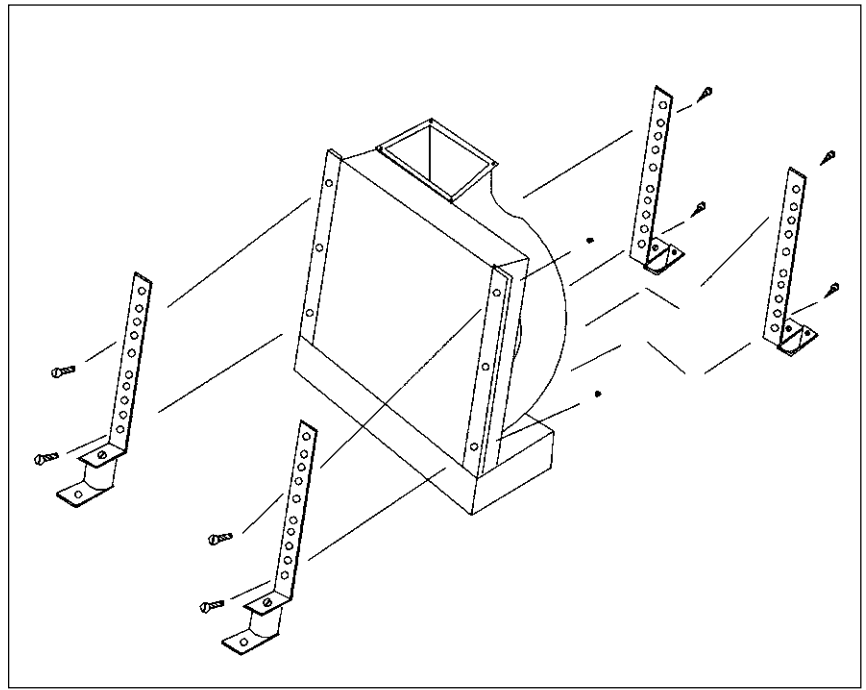


Grill Plenum Shown

**Cruisair**<sup>®</sup>  
Chill Out In Style



Mounting Frame Shown



MK4L Shown

**RECOMMENDED DUCT AND GRILL SIZES**

**MOUNTING FRAME APPLICATION**

Model	Evaporator
MFBO-578	EFB4, 5, 7, & 8 / EBO4 & 5
MFO-7	EBO7 & 8
MFO-10	EBO10
MFB-10	EFB10
MFB-1216	EFB12 & 16
MFC-12	EBS12
MFC-1416S	EBS14 & 16
MFO-1216	EBO12 & 16
MFH-1216	EBH12 & 16
MFL-1216	EFL12 & 16
MK4L	Any EBO or EBU Unit

**STOWAWAY AND COOLING UNITS**

Unit Capacity (x1000 Btu/hr)	Duct Size		Minimum Grill Areas			
	(in)	(mm)	Return		Discharge	
			(in <sup>2</sup> )	(cm <sup>2</sup> )	(in <sup>2</sup> )	(cm <sup>2</sup> )
4-5	4	100	64	410	32	210
7-8	5	125	72	460	49	320
10	6	150	100	650	60	390
12	6	150	144	770	70	450
16	7	175	220	930	80	520
20-24	9	225	220	1420	120	770
30-36	10	250	300	2060	170	1100
48	12	300	440	2840	230	1480

**TEMPERED WATER AIR HANDLERS**

Unit Capacity (x1000 Btu/hr)	Duct Size		Minimum Grill Areas			
	(in)	(mm)	Return		Discharge	
			(in <sup>2</sup> )	(cm <sup>2</sup> )	(in <sup>2</sup> )	(cm <sup>2</sup> )
3-6	5	125	72	460	32	210
7.5-9	6	150	100	650	49	320
12	7	175	120	770	60	390
15-8	8	200	200	1290	70	450
21-24	9	225	220	1420	80	520

